

DAB1.4(C) / DAB1(C) / DAD1.4(C) / DAD1(C)
 Floating and ON/OFF Actuators

Application

The **JOVENTA SMALL** electric damper actuator series have been developed to operate small and medium air damper in ventilation and air conditioning systems. The compact design make this JOVENTA actuator highly versatile.

Features

- Floating and ON/OFF control
- Load-independent running time
- Up to 5 actuators in parallel operation possible
- Simple direct-mounting with universal adapter for fitting to 8...13 mm Ø round axis or with 8...10 mm square shaft
- Manual release button
- Devices meet CE requirements


Technical Specifications

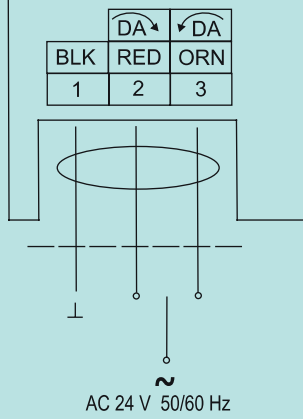
Actuator	DAB1.4	DAB1.4C	DAB1	DAB1C	DAD1.4	DAD1.4C	DAD1	DAD1C
Torque	2 Nm				4 Nm			
Damper area*	0.4 m ²				0.8 m ²			
Connection								
- PVC Cable	1.2 m	---	1.2 m	---	1.2 m	---	1.2 m	---
- Plug-in terminal block	---	3-Pole	---	3-Pole	---	3-Pole	---	3-Pole
Running Time OPEN	36 s (@ 50 Hz)				72 s (@ 50 Hz)			
Supply Voltage	AC 24 V +25% -20%							
Frequency	50-60 Hz							
Power Requirement	2.1 VA		2.5 VA		2.1 VA		3.0 VA	
Control signal	Floating without Timeout		ON/OFF and Floating with Timeout		Floating without Timeout		ON/OFF and Floating with Timeout	
Position signal	None							
Angle of rotation/working range	93° < ± 3°							
Service Lifetime ca.	100.000							
Auxiliary Switches	None							
Noise Level	35 dB (A)							
Protection Class	II							
Degree of Protection	IP 42	IP 40	IP 42	IP 40	IP 42	IP 40	IP 42	IP 40
Ambient conditions								
- Operating temperature	0...+52 °C / IEC 721-3-3							
- Storage temperature	-30...+65 °C / IEC 721-3-2							
- Humidity	5...95% r.F. no condensed							
Weight	0.5 Kg							
Service	Maintenance-free							
Standards								
- Mechanics	EN 60 529 / EN 60 730-2-14							
- Electronics	EN 60 730-2-14							
- EMC Emissions	EN 50 081-1:92 / IEC 61000-6-3:96							
- EMC Immunity	EN 50 082-2:95 / IEC 61000-6-2:99							

*Caution: Please note damper manufacturer's information concerning the open/close torque.

DAB1.4(C) / DAB1(C) / DAD1.4(C) / DAD1(C)
Floating Actuators

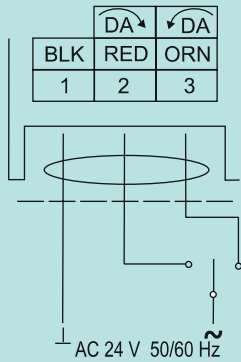
Control Wiring Diagrams

DAB1.4 / DAD1.4



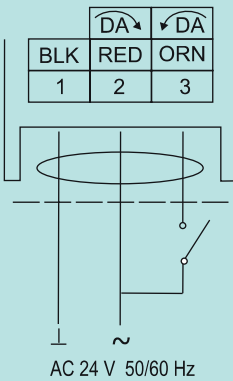
AC 24 V 50/60 Hz

DAB1 / DAD1 Floating



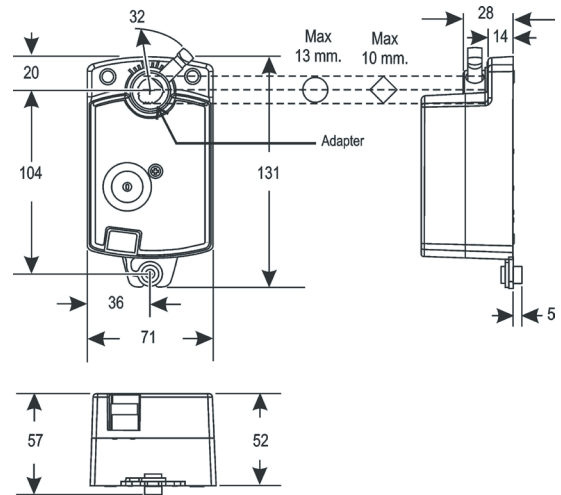
AC 24 V 50/60 Hz

DAB1 / DAD1 ON/OFF

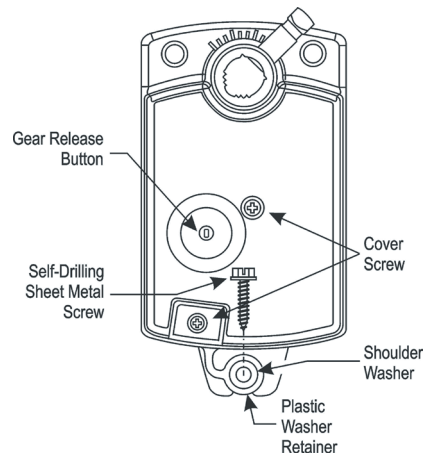


AC 24 V 50/60 Hz

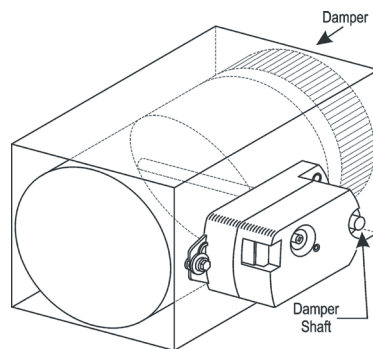
Dimensions in mm



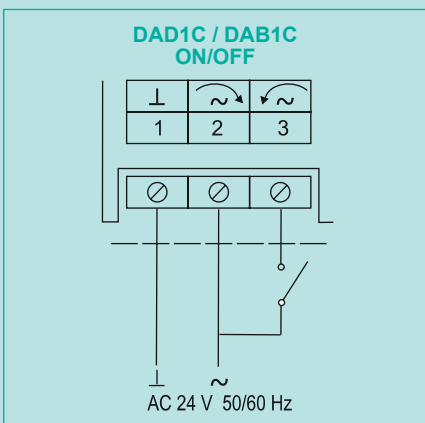
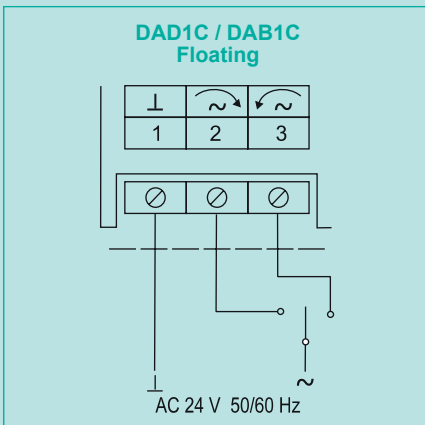
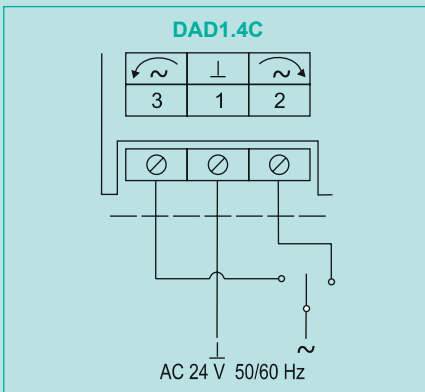
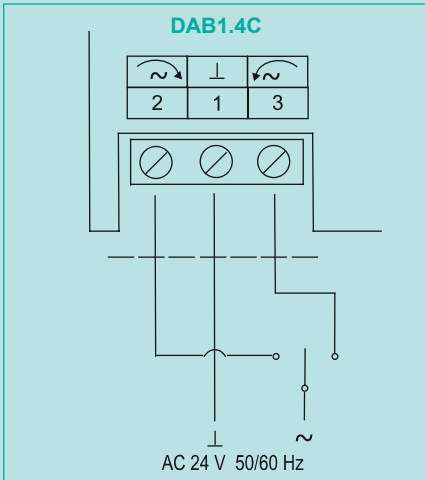
Inserting the Screw into the Shoulder Washer



Mounting the Actuator onto the Damper Shaft



Control Wiring Diagrams



**DAB1.4(C) / DAB1(C) / DAD1.4(C) / DAD1(C)
Floating Actuators**

Ordering Codes

Codes	Descriptions
DAB1.4	2 Nm, AC 24 V with 1,2 PVC cable, Floating without Timeout
DAB1.4C	2 Nm, AC 24 V with terminal block, Floating without Timeout
DAB1	2 Nm, AC 24 V with 1,2 PVC cable, ON/OFF and Floating with Timeout
DAB1C	2 Nm, AC 24 V with terminal block, ON/OFF and Floating with Timeout
DAD1.4	4 Nm, AC 24 V with 1,2 PVC cable, Floating without Timeout
DAD1.4C	4 Nm, AC 24 V with terminal block, Floating without Timeout
DAD1	4 Nm, AC 24 V with 1,2 PVC cable, ON/OFF and Floating with Timeout
DAD1C	4 Nm, AC 24 V with terminal block, ON/OFF and Floating with Timeout