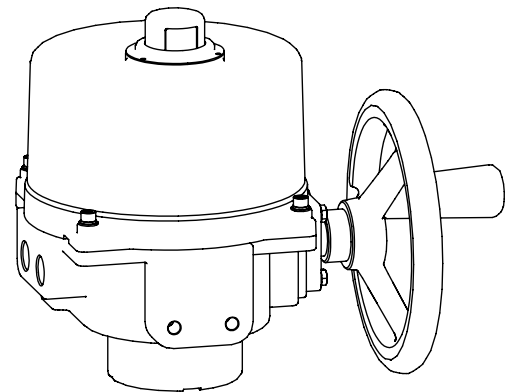
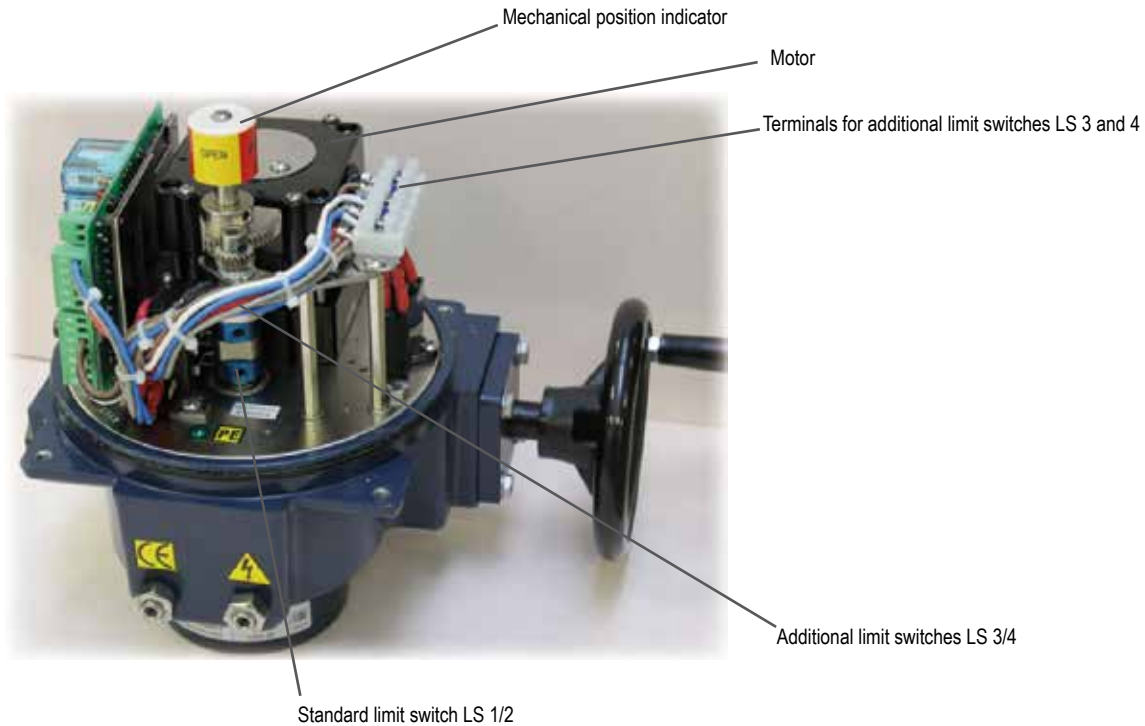

Electric rotary actuator ARI-OM**Electric rotary actuator****Typ OM-A up to OM-4**

- For short time duty S 2-5 Min.
(Periodic duty S3 30% ED)
- 230V 50Hz, 24V DC, 24V 50Hz
- Enclosure IP 67



Page 2**Features**

- Voltages:
 - 230V 50Hz
 - 24V DC
 - 24V 50Hz
- Self-locking
- Temperature guard in the motor
- Limit switch
- Position indicator as standard
- Manual emergency handwheel as standard



Technical data

Type		ARI-OM					
		OM-1	OM-A	OM-2	OM-3	OM-4	
Torque	Nm	35	50	90	150	400	
Operating time	s / 90°	50Hz	13	24	17	26	18
		60Hz	12	20	15	22	16
		12/24V AC / DC	15	20	15	22	16
Flange connection	ISO5211	F05 (F03)	F05 (F07)	F07		F10	
	SW	2-flat 11		2-flat 17		4-square 22	
Mechanical limit stops		-	-	From outside adjustable			
Operation mode EN 60034-1		S 2-5 min. (OPEN / CLOSE operation) or S3-30% ED, max. 60c/h with half nominal torque (controlling operation)					
Hand operation		Wrench		Handwheel			
Protection class		IP 67 (NEMA 4, NEMA4x)					
Motor volatage (standard)		230V 50/60Hz					
Power input	VA	10	10	40	40	120	
Insulation class (motor)		H		F			
Heat overload protection		Built-in: 135°C					
Material		Aluminium alloy					
Painting		Powder coating					
Ambient temperature		-30°C up to +65°C					
Humidity		30% up to 95%					
Weight	kg	2,0	3,0	9,0	9,0	17,5	

Accessories

Typ	ARI-OM				
	OM-1	OM-A	OM-2	OM-3	OM-4
Positioner	4-20mA / 2-10V control actuator ED=30% resp. 60 c/h				
Potentiometer	Synchronous with output transmission shaft to provide a feedback signal for Position Indicator etc.				
4-20mA Current Position Transmitter	on request (works in conjunction with the Potentiometer Unit and provides 4-20mA output signal for poistion indication etc.)				
Local Control Unit	-	-	Local/Remote selection switches, Open/Close selection switches		
Anti-condensation Heater	For all types available				
Position indicator	A display equipment is for 0-100% or 4-20mA available				
Limit switch	2 add. limit switches can be mounted				

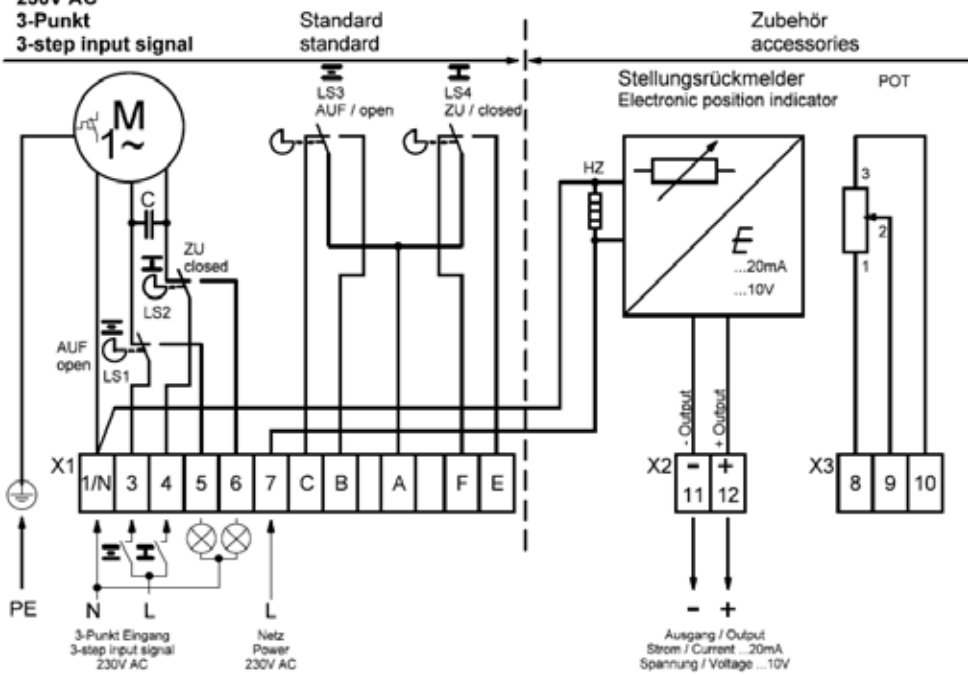
24V AC / DC

Type		ARI-OM				
		OM-1	OM-A	OM-2	OM-3	OM-4
Torque	Nm	35	50	90	150	400
Travel time	s	15	20	15	22	16
Engine performance	VA	10	10	70	70	180
Motor rotation speed	U/min	6000	6000	1800	1800	1800
24V AC / DC (A)	Run	0,7	0,7	3,0	3,0	6,0
	Start	0,8	0,8	5,0	5,0	8,0
	Lock	1,4	1,4	13,0	13,0	30,0

Single phase 220-240V~

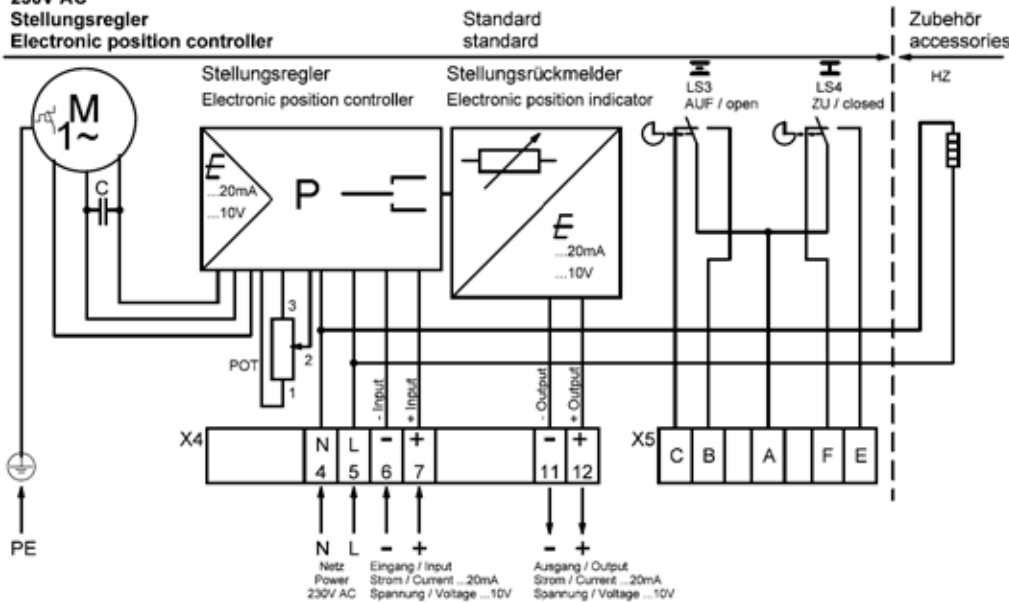
Type		ARI-OM					
		OM-1	OM-A	OM-2	OM-3	OM-4	
Torque	Nm	35	50	90	150	400	
Travel time	50Hz	s	13	24	17	26	18
	60Hz		12	20	15	22	16
Engine performance	VA	10	10	40	40	120	
Motor rotation speed	50Hz	U/min	3000	3000	1450	1450	1420
	60Hz		3600	3600	1720	1720	1720
220V – 240V AC (A)	Lauf	0,3	0,3	0,5	0,5	0,6	
	Start	1,0	1,0	1,5	1,5	1,5	
	Lock	0,5	0,5	0,9	0,9	1,8	

ARI-OM-A
230V AC
3-Punkt
3-step input signal

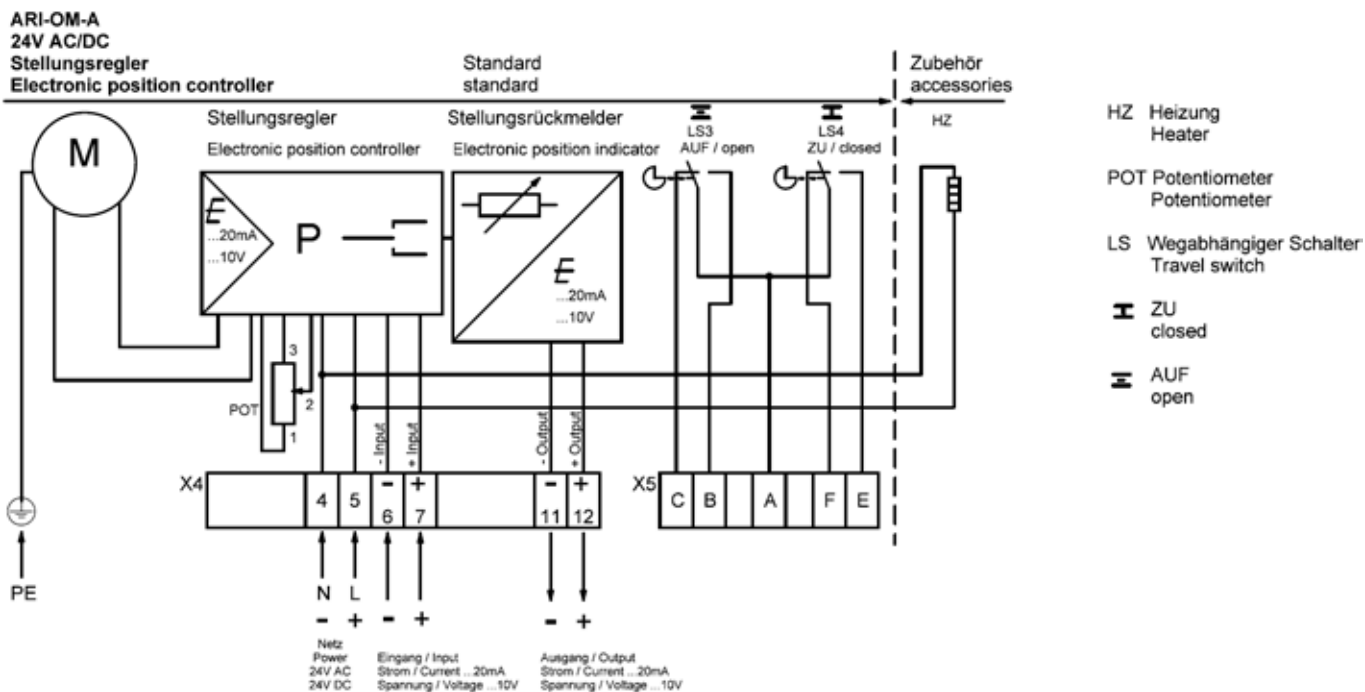
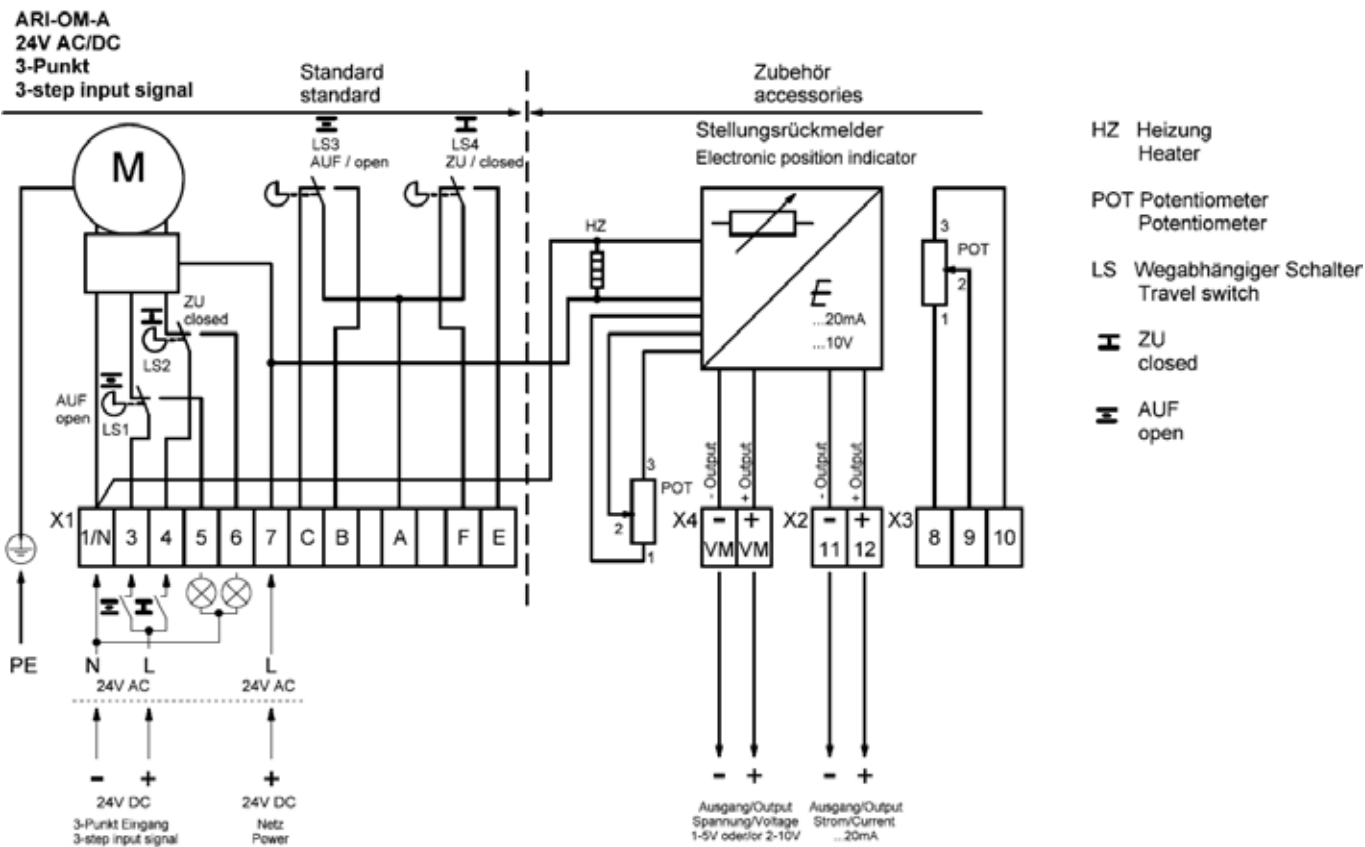


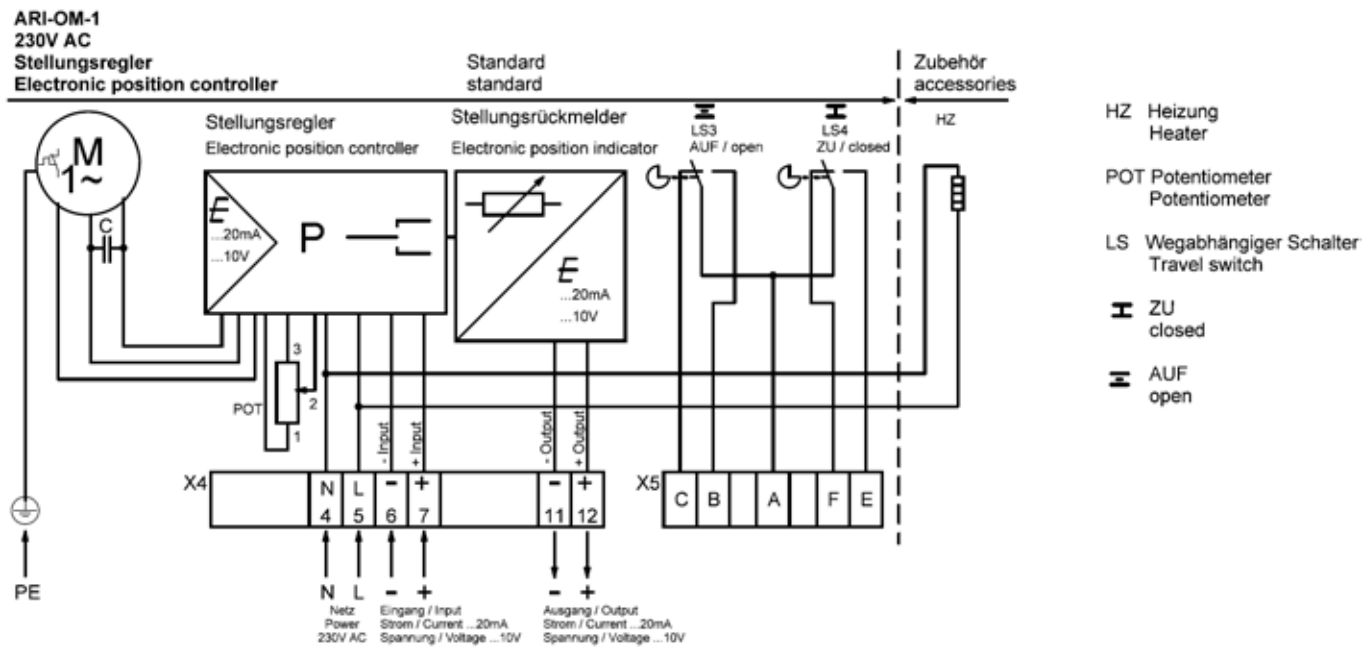
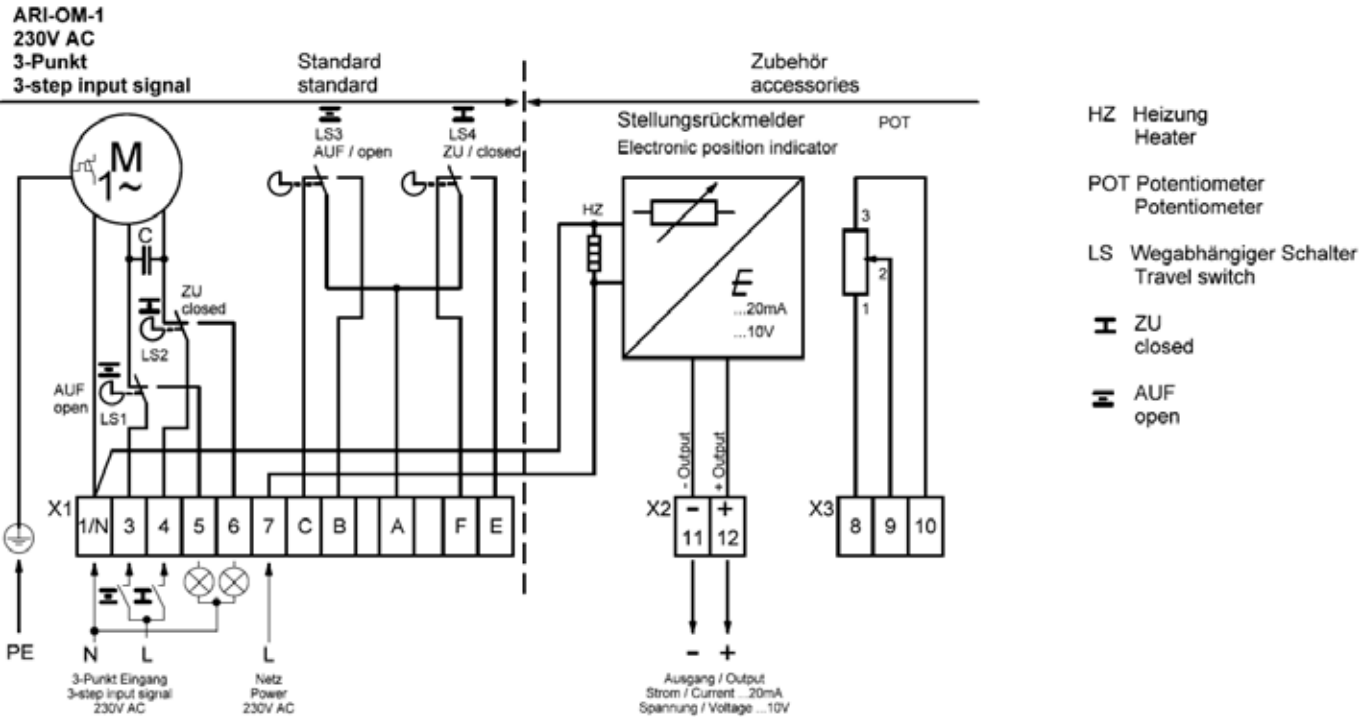
- HZ Heizung
Heater
- POT Potentiometer
Potentiometer
- LS Wegabhängiger Schalter
Travel switch
- I** ZU
closed
- II** AUF
open

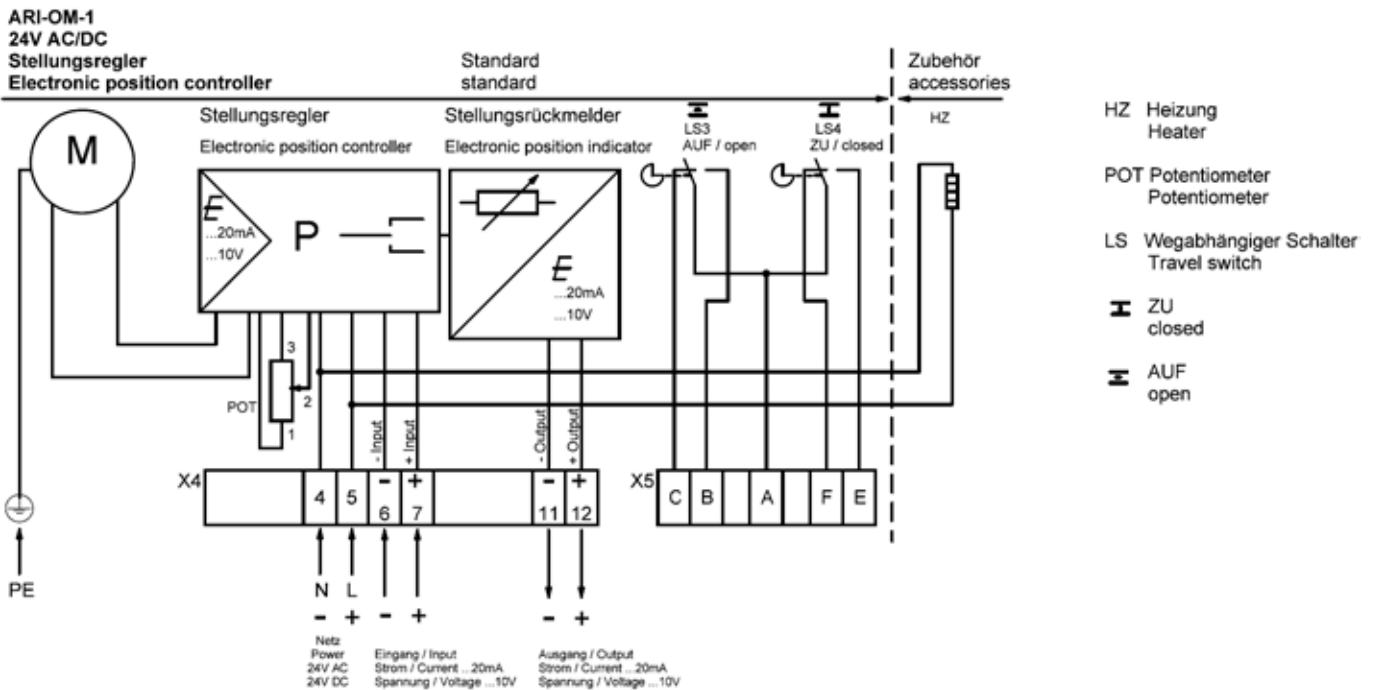
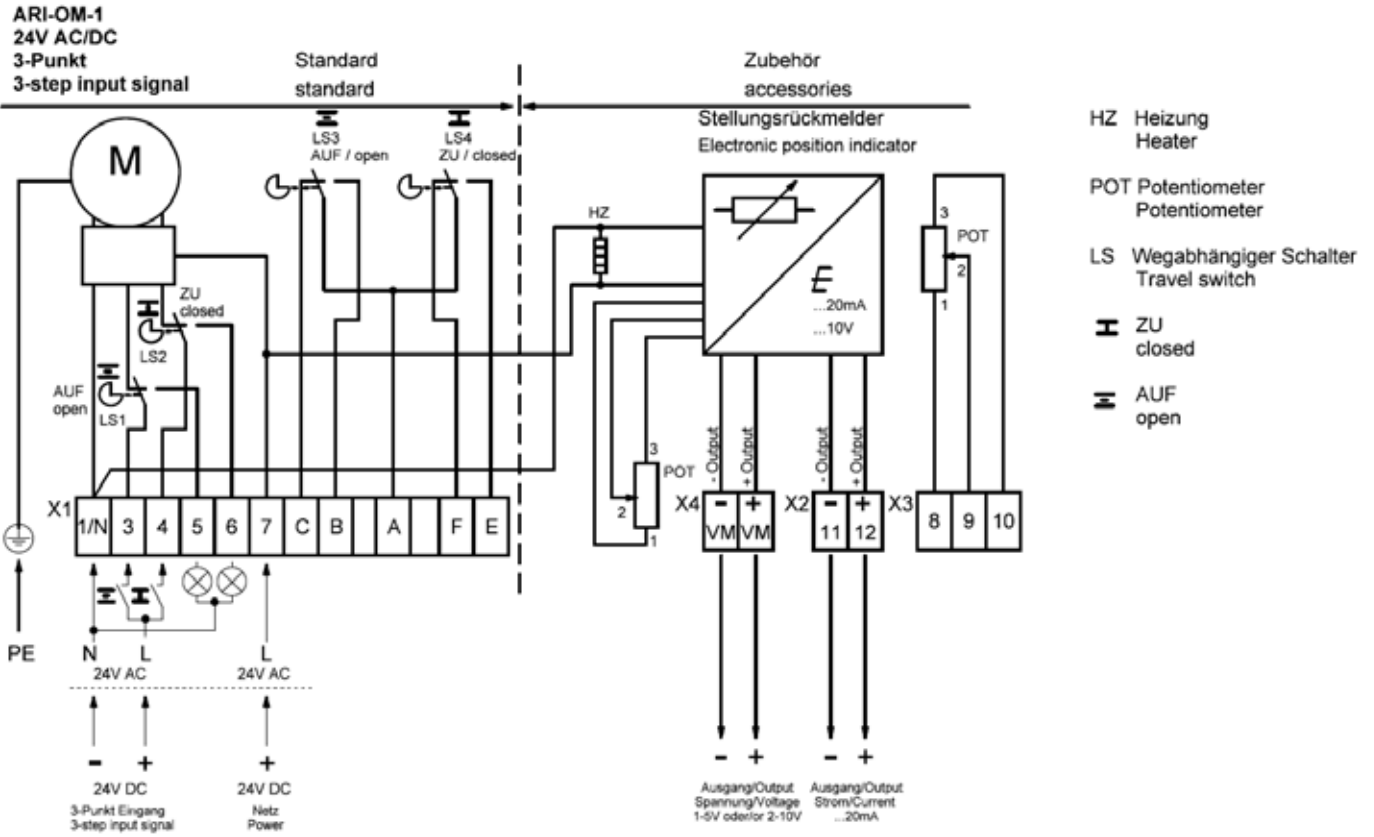
ARI-OM-A
230V AC
Stellungsregler
Electronic position controller



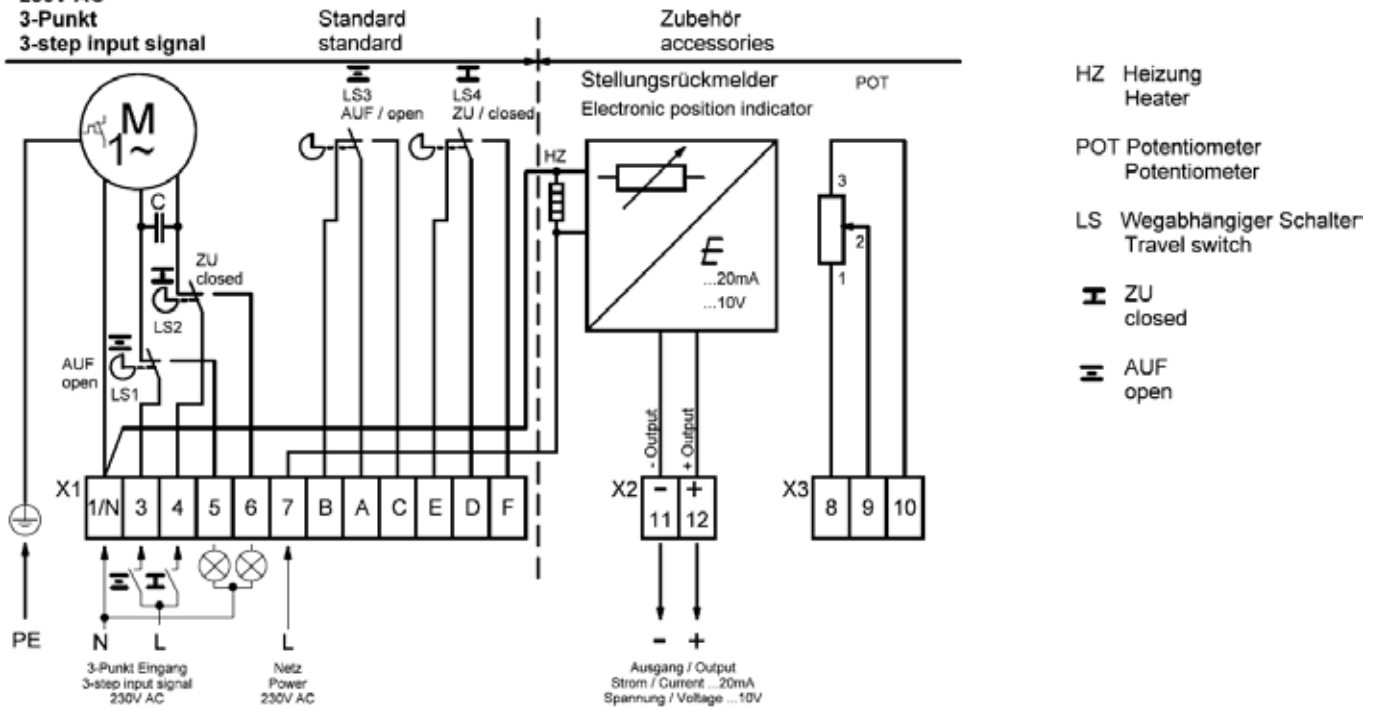
- HZ Heizung
Heater
- POT Potentiometer
Potentiometer
- LS Wegabhängiger Schalter
Travel switch
- I** ZU
closed
- II** AUF
open



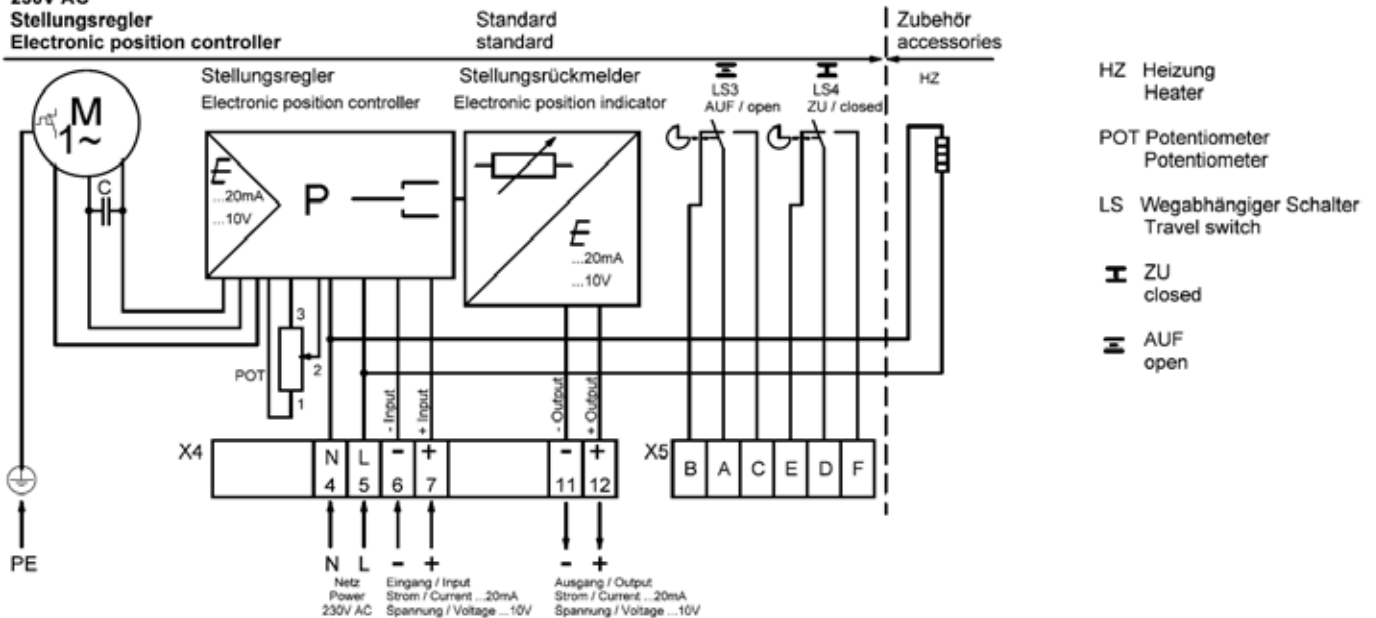


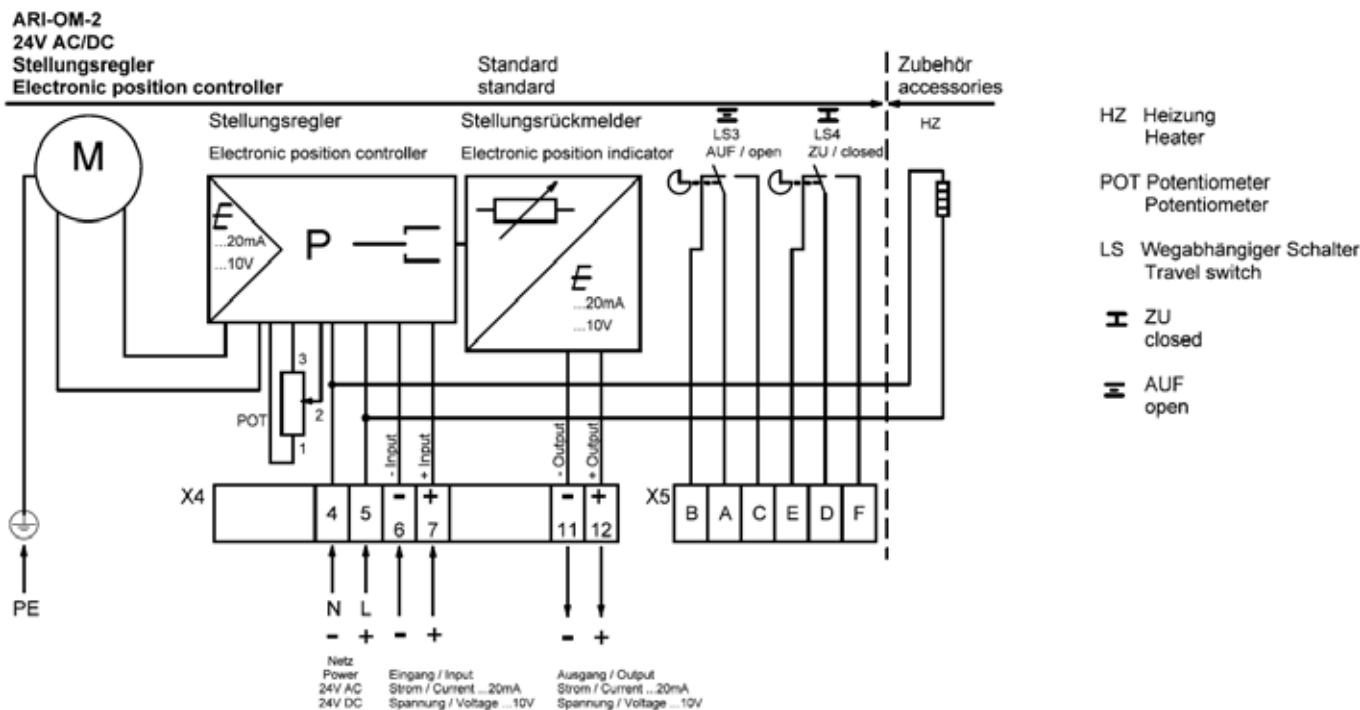
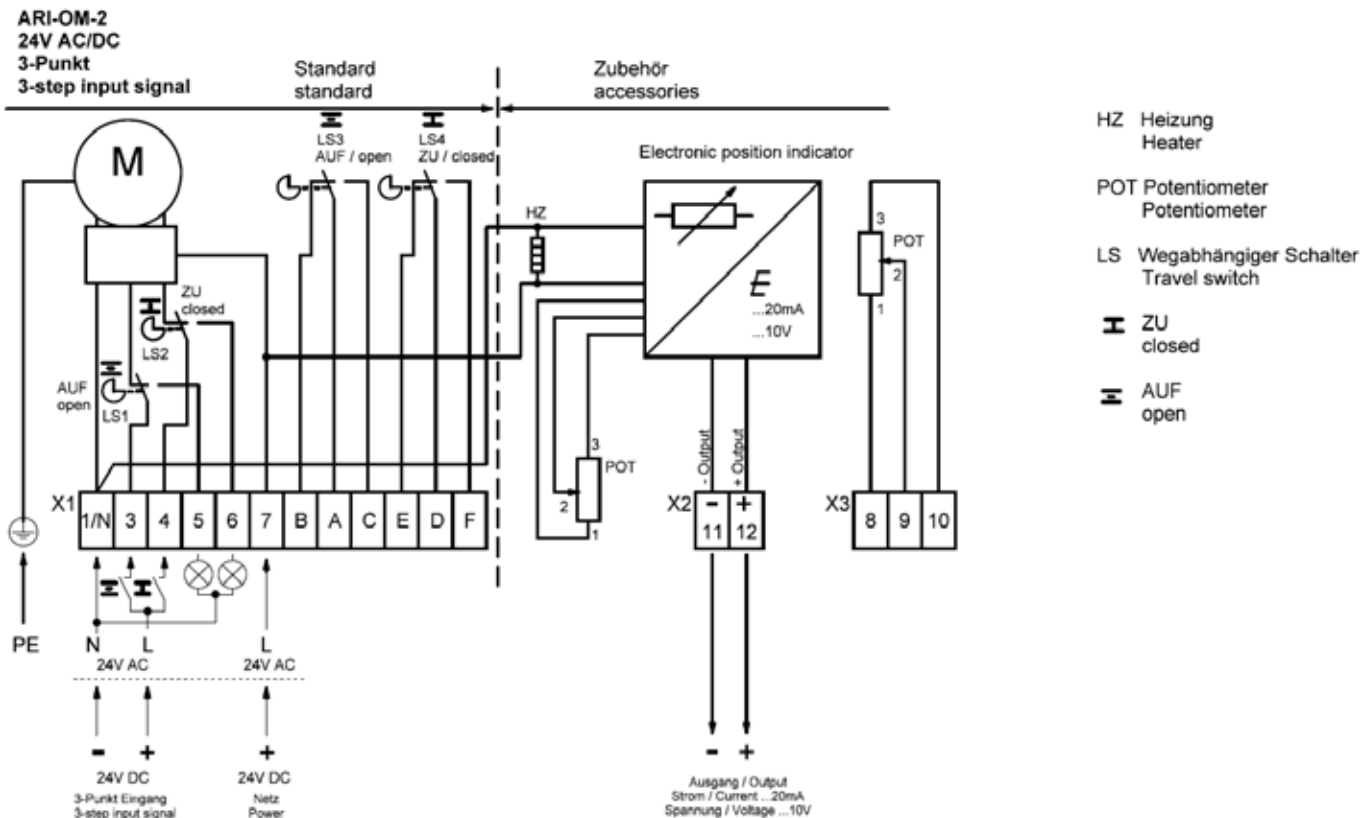


ARI-OM-2
230V AC
3-Punkt
3-step input signal

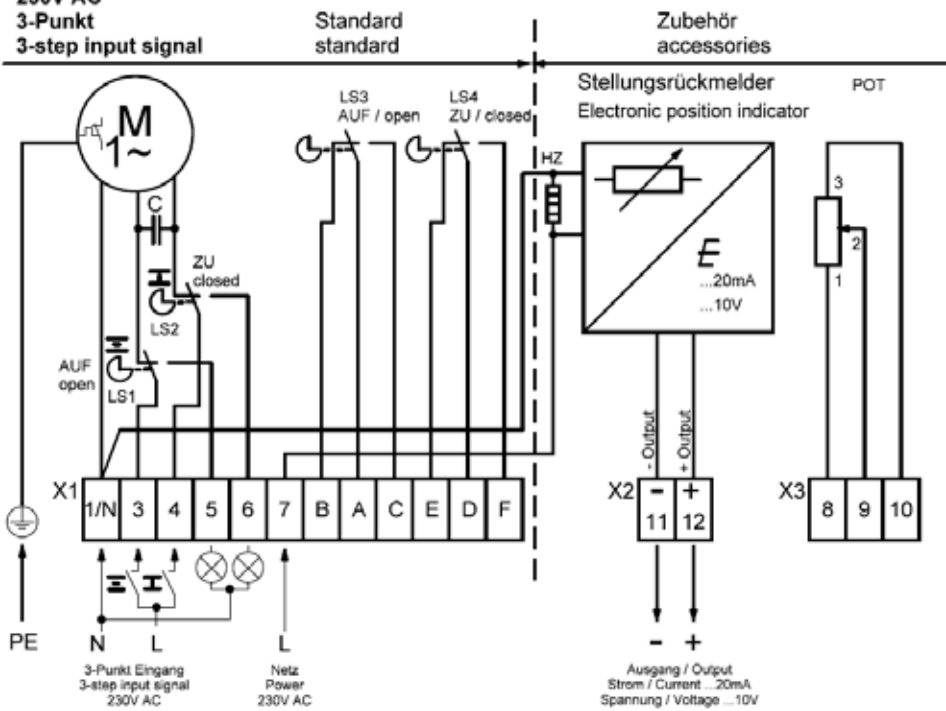


ARI-OM-2
230V AC
Stellungsregler
Electronic position controller



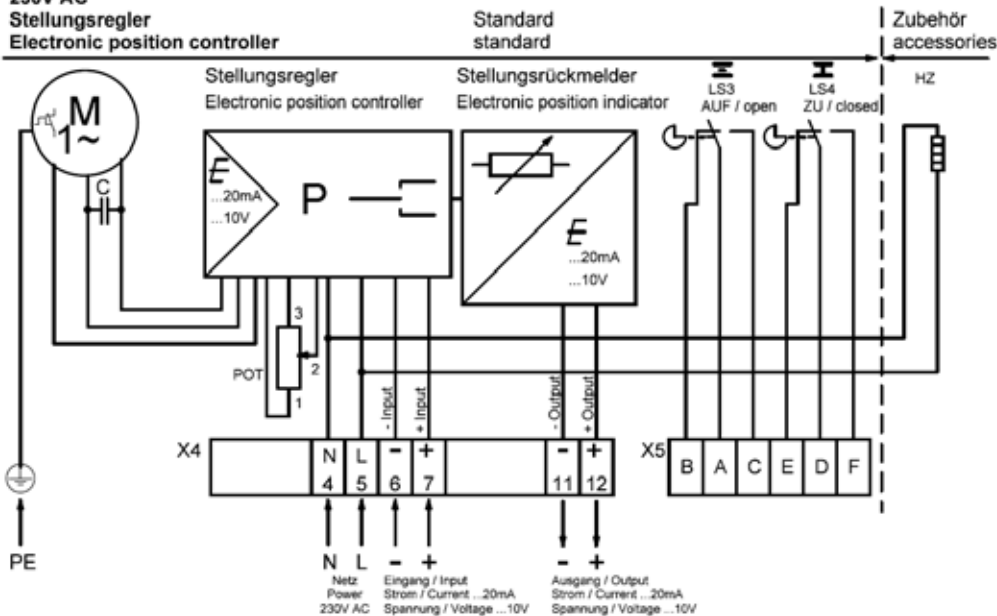


ARI-OM-3
230V AC
3-Punkt
3-step input signal

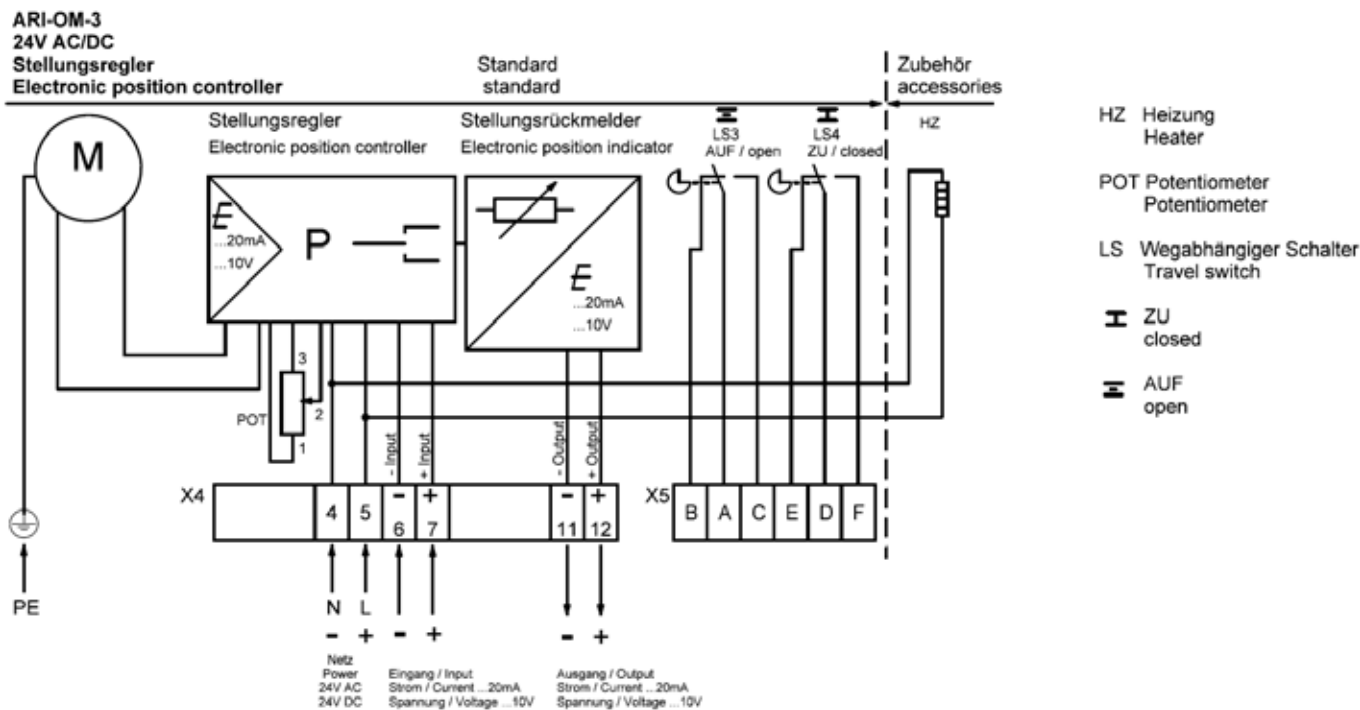
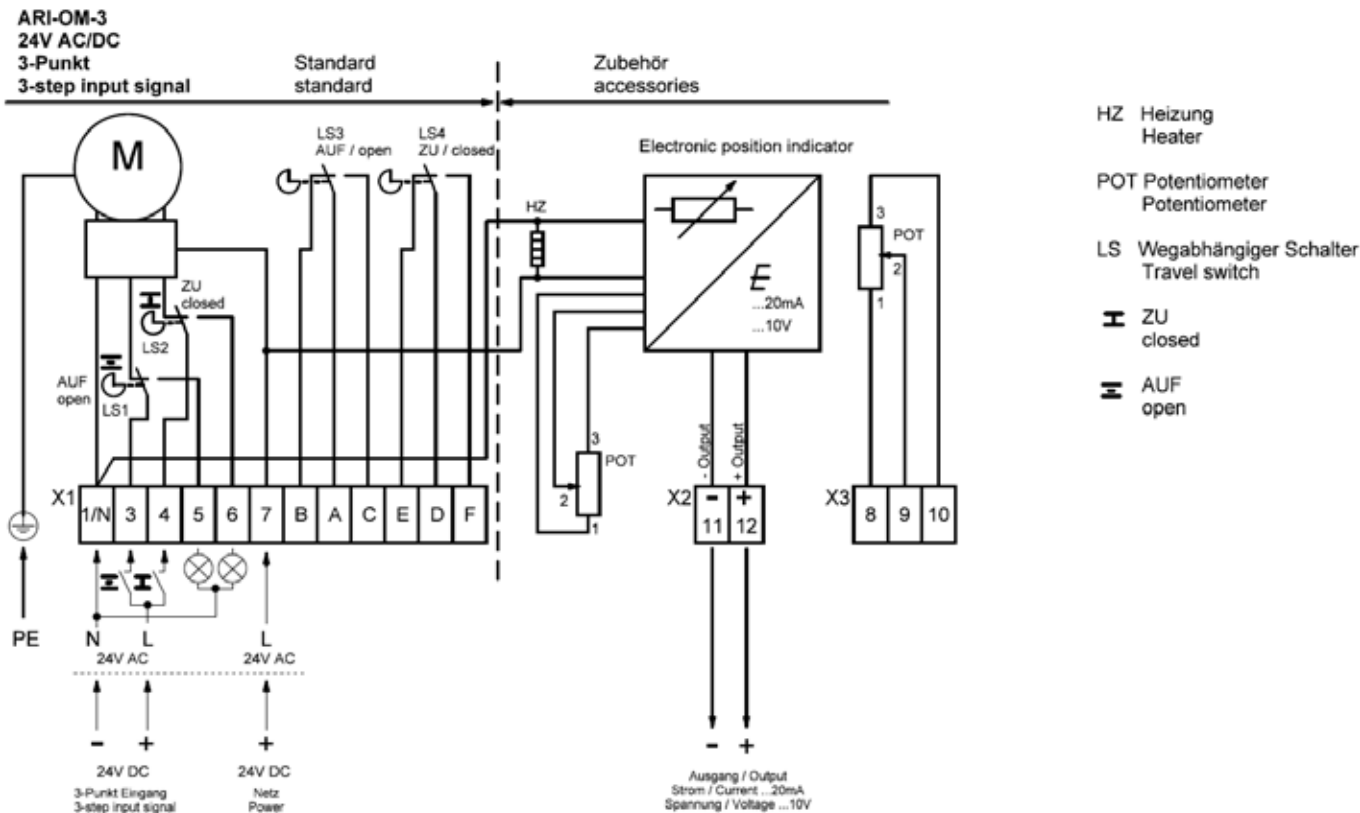


- HZ Heizung
Heater
- POT Potentiometer
Potentiometer
- LS Wegabhängiger Schalter
Travel switch
- ZU
closed
- AUF
open

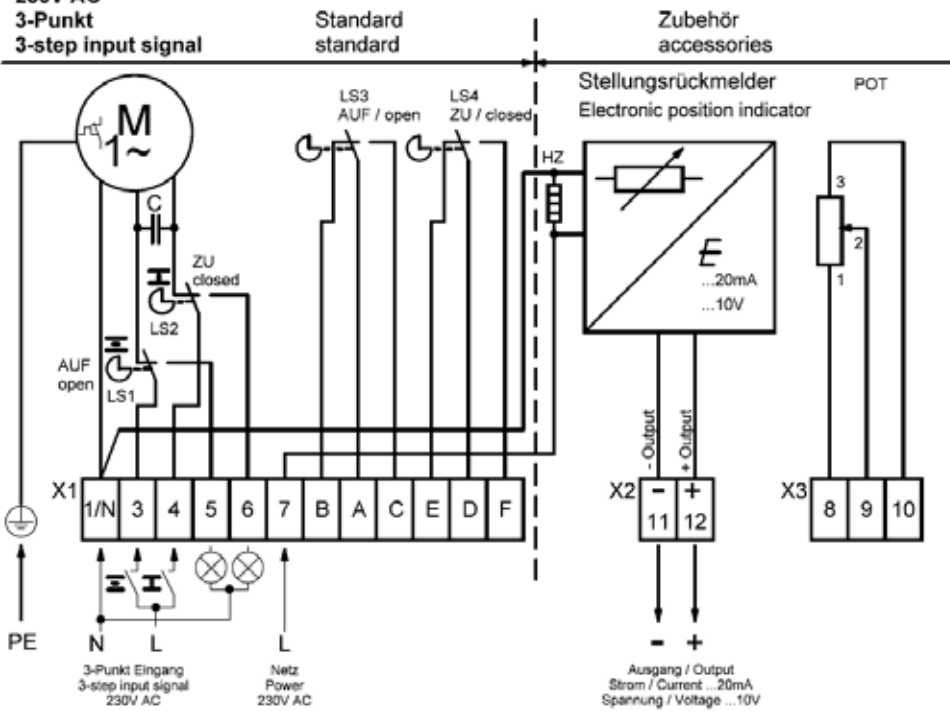
ARI-OM-3
230V AC
Stellungsregler
Electronic position controller



- HZ Heizung
Heater
- POT Potentiometer
Potentiometer
- LS Wegabhängiger Schalter
Travel switch
- ZU
closed
- AUF
open

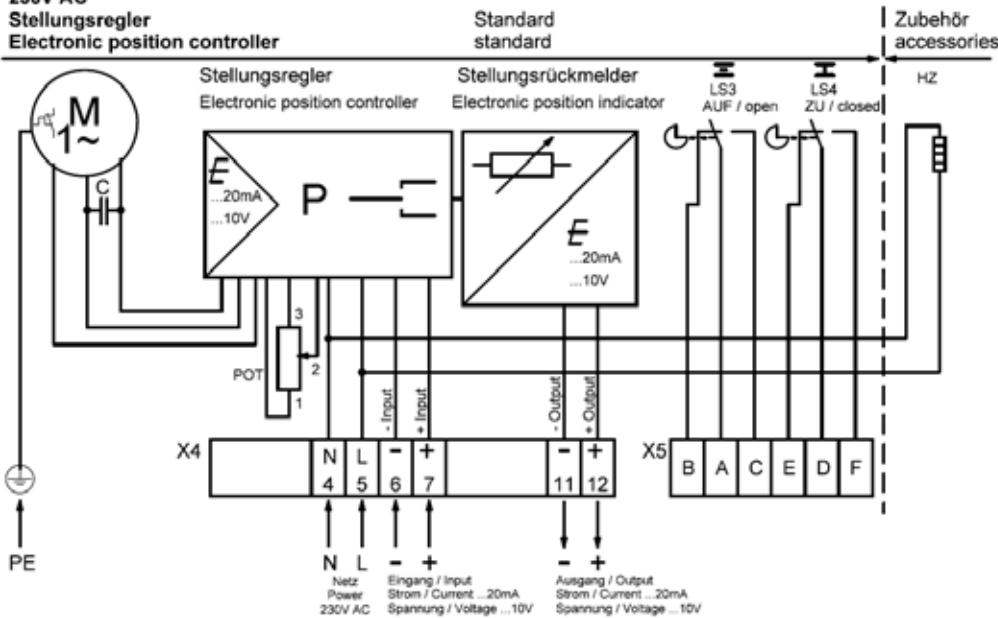


ARI-OM-4
230V AC
3-Punkt
3-step input signal

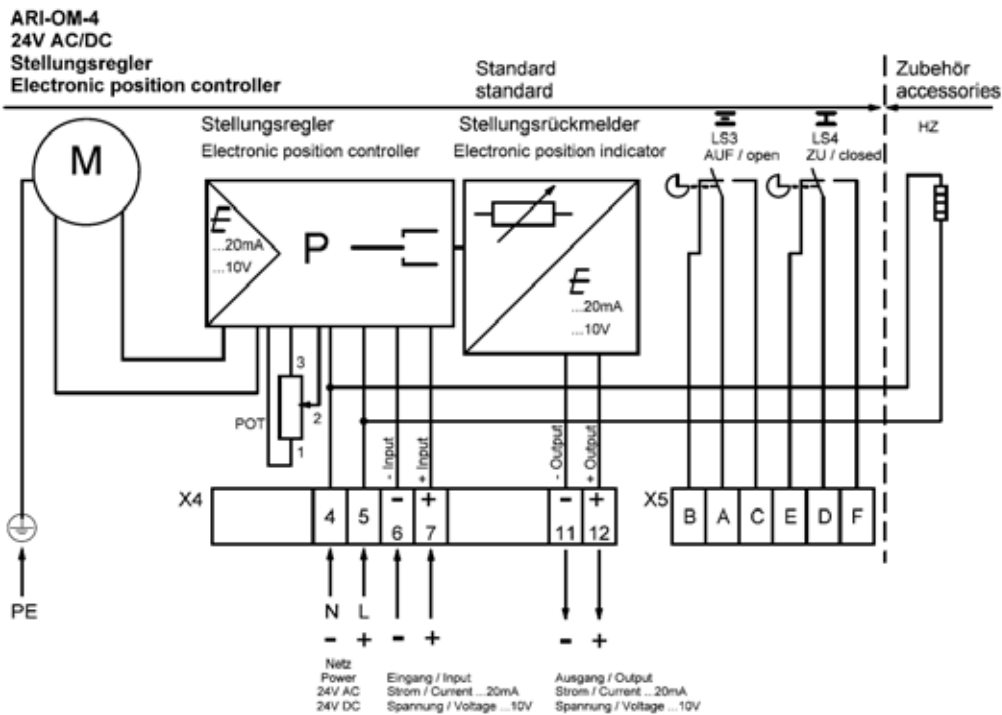
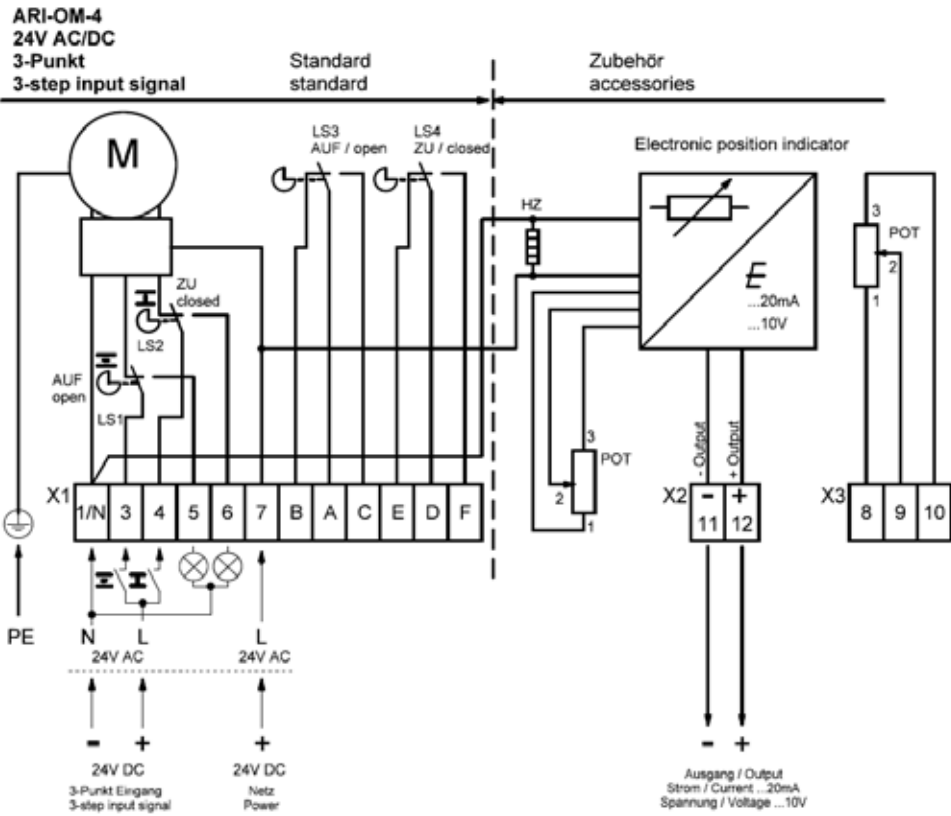


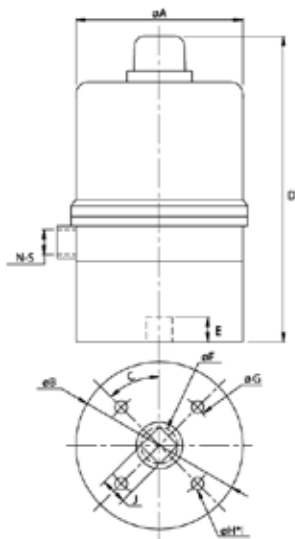
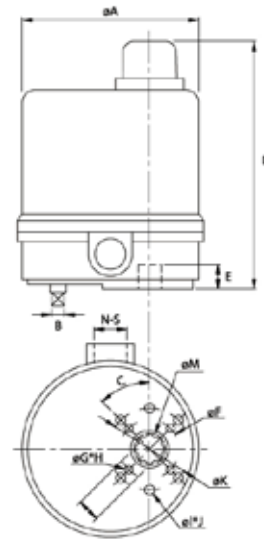
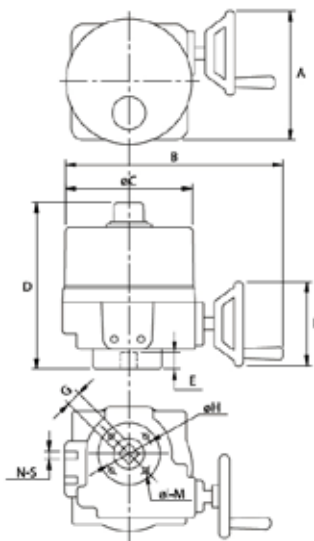
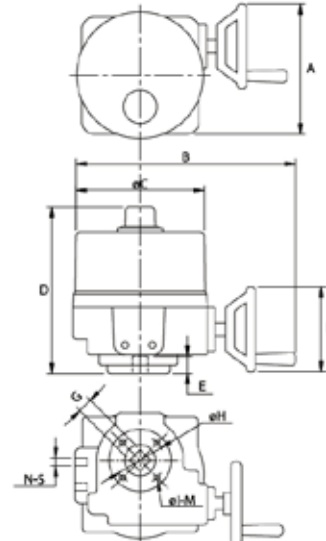
- HZ Heizung
Heater
- POT Potentiometer
Potentiometer
- LS Wegabhängiger Schalter
Travel switch
- I ZU
closed
- I AUF
open

ARI-OM-4
230V AC
Stellungsregler
Electronic position controller



- HZ Heizung
Heater
- POT Potentiometer
Potentiometer
- LS Wegabhängiger Schalter
Travel switch
- I ZU
closed
- I AUF
open




OM-A

OM-1

OM-2 up to 3

OM-4

		OM-A	OM-1	OM-2	OM-3	OM-4
A	(mm)	106	106	175	265	
B	(mm)	106	8	310	375	
C	(mm)	45°	45	180	215	
D	(mm)	198	151	250	320	
E	(mm)	16	15	30	50	
F	(mm)	24 (optional: 19)	36	125	195	
G	(mm)	50	m5	max. 22	max. 35	
H	(mm)	m8	4	70	102	
I	(mm)	4	m6	m8	m10	
J	(mm)	max. 17 (optional: 14, 19)	max. 6	--	--	
K	(mm)	--	50	--	--	
L	(mm)	--	max. 14 (optional: 9, 11)	--	--	
M	(mm)	--	19 (optional: 12, 15)	4	4	
N	(mm)	1	1	2	2	
S	(mm)	1/2 NPT / m20	1/2 NPT / m20	1/2 NPT / m20	1/2 NPT / m20	
Flange type ISO5211	(mm)	F05 (F07)	F05 (F03)	F07	F10	