

MA1 / MA2
ON-OFF and Floating Mixer Actuator

Application

The **JOVENTA** electric mixer-actuator series is designed for operating water valves such as mixing valves, butterfly valves and ball valves. The mixing actuator is designed so that it can be fitted, using the relevant fitting kit, to many different makes of valves.

Features

- ON/OFF and Floating Control
- Load-independent running time
- Up to 5 actuators in parallel operation possible
- Plug-in terminal block connection
- Simple mount with ball valves adapter ZMA...
- Selectable direction of rotation
- Manual release button
- 2 adjustable auxiliary switches
- Automatic shut-off at end position (overload switch)
- Actuators available with 1 m halogen-free cable
- Customized versions available
- Devices meet CE requirements

Accessories

- ZMA 001 for ESBE mixers
- ZMA 002 for Centra Duplex mixers
- ZMA 003 for Holter mixers
- ZMA 004 for GF Ball valves



Technical Specifications

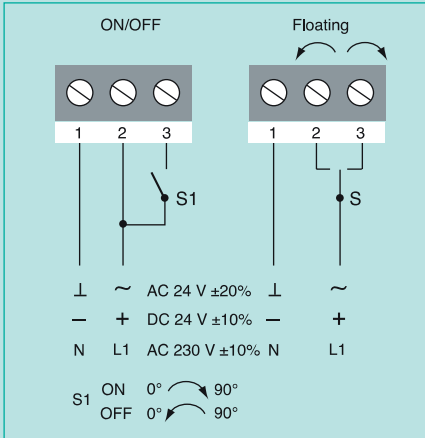
Actuator	MA1(S)	MA2(S)
Torque	16 Nm	
Running Time OPEN	120 s	
Running Time CLOSE	120 s	
Supply Voltage	AC/DC 24 V	AC 230 V
Frequency	50-60 Hz	
Power Consumption		
- Running	2.0 W	
- At end position	0.4 W	
Dimensioning	2.1 VA / 3.4 A @ 2 ms	2.0 VA / 0.25 A @ 2 ms
Control Signal	ON/OFF or Floating	
Position Signal	None	
Angle of rotation/Working range	90° (93° mech.)	
Angle of rotation/Limitation	None	
Auxiliary Switches	3(1.5) A, AC 230 V	
- S1 setting range	5°...85° < adjustable	
- S2 setting range		
Cable	1.0 m halogen-free	
- Motor	3-Wire 1-2-3	
- Switches	5-Wire 21-22-23-24-25	
Life time	60.000 rotations	
Noise level	45 dB (A)	
Protection Class	II	
Degree of Protection	IP 54	
Mode of Action	Type 1	
Ambient conditions		
- Operating temperature	-20...+50 °C / IEC 721-3-3	
- Storage temperature	-30...+60°C / IEC 721-3-2	
- Humidity	5...95% r.F. no condensed	
Weight	1.4 Kg	
Service	Maintenance-free	
Standards		
- Mechanics	EN 60 529 / EN 60 730-2-14	
- Electronics	EN 60 730-2-14	
- EMC Emissions	EN 50 081-1:92 / IEC 61000-6-3:96	
- EMC Immunity	EN 50 082-2:95 / IEC 61000-6-2:99	

Ordering Codes

Codes	Descriptions
MA1	AC/DC 24 V
MA1.S	AC/DC 24 V, with 2 auxiliary switches
MA2	AC 230 V
MA2.S	AC 230 V, with 2 auxiliary switches

MA1 / MA2
ON-OFF and Floating Mixer Actuator

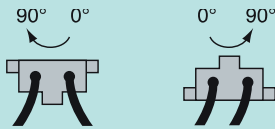
Wiring Diagrams



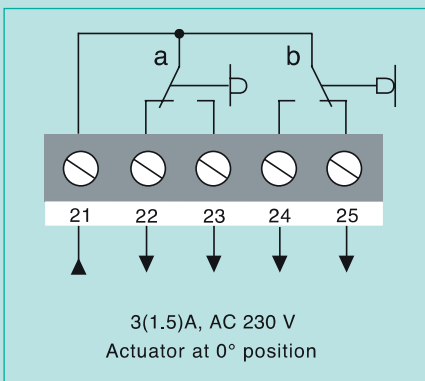
Changing the direction of rotation

The direction of rotation can be changed by reversing plug **c**.

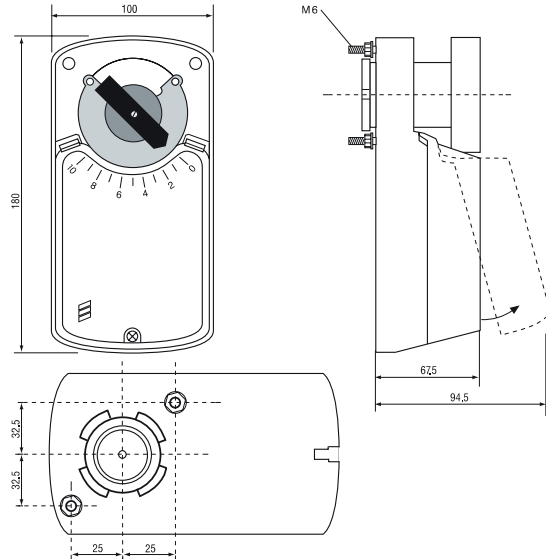
Factory setting:



Auxiliary Switches (S)



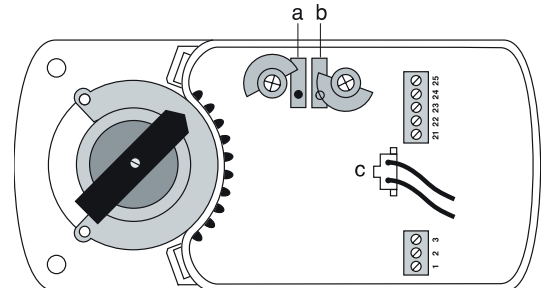
Dimensions in mm



Setting the auxiliary switches

Factory setting
Switch **a** at 10°
Switch **b** at 80°

The switching position can be manually changed to any required position by turning the ratchet



Mounting Instruction

